



**PBI-L Series
(50Hz)**

Application

- Various Water supply application

Features

- Constant Pressure through Speed control
- Automatic operation with setting pressure
- Manual operation with setting Frequency
- Various Protection

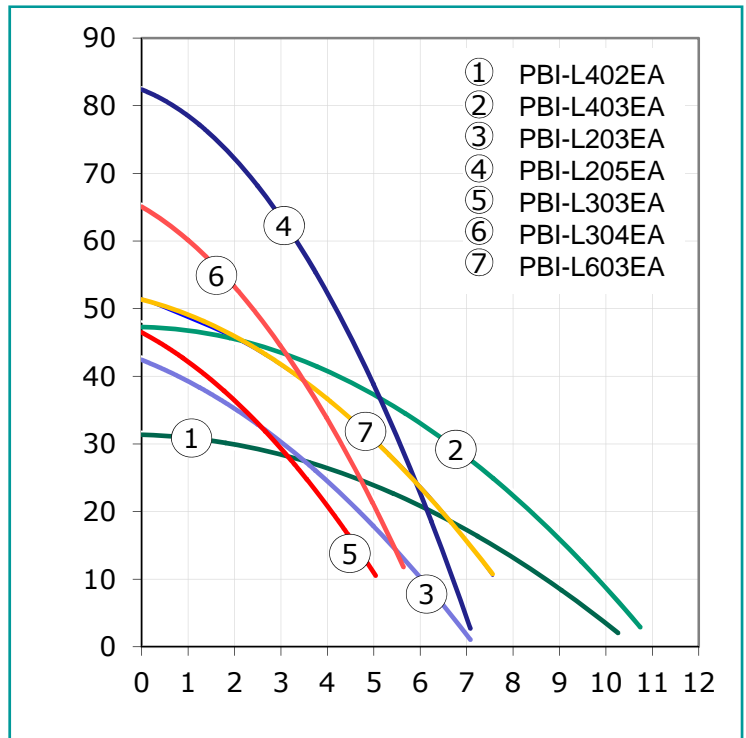
Advantage

- Extremely Wide control range
- Control by integrated-Inverter

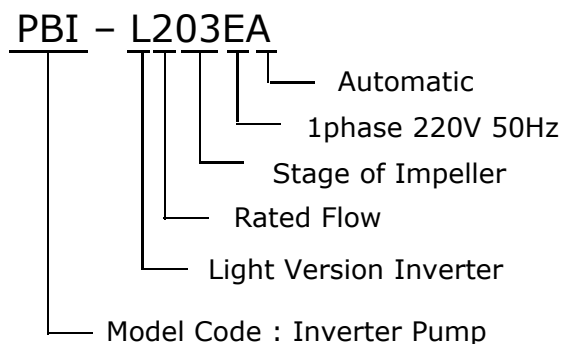
Technical Data

Approved fluids	Clean Water
Power Source	1~ 220V 50Hz
Max.flow	10m ³ /hr
Max.pressure	8kgf/cm ²
Rated speed	3450rpm
Ambient temperature	Up to +40℃
Fluid temperature	+80℃ (2/4 Series)
	+35℃ (3/6 Series)
Suction & Discharge bore	Rp 1"~1 1/4"
Motor protection	IP x4
Motor insulation class	F
Voltage tolerance	±10%

Performance Curve



Identification

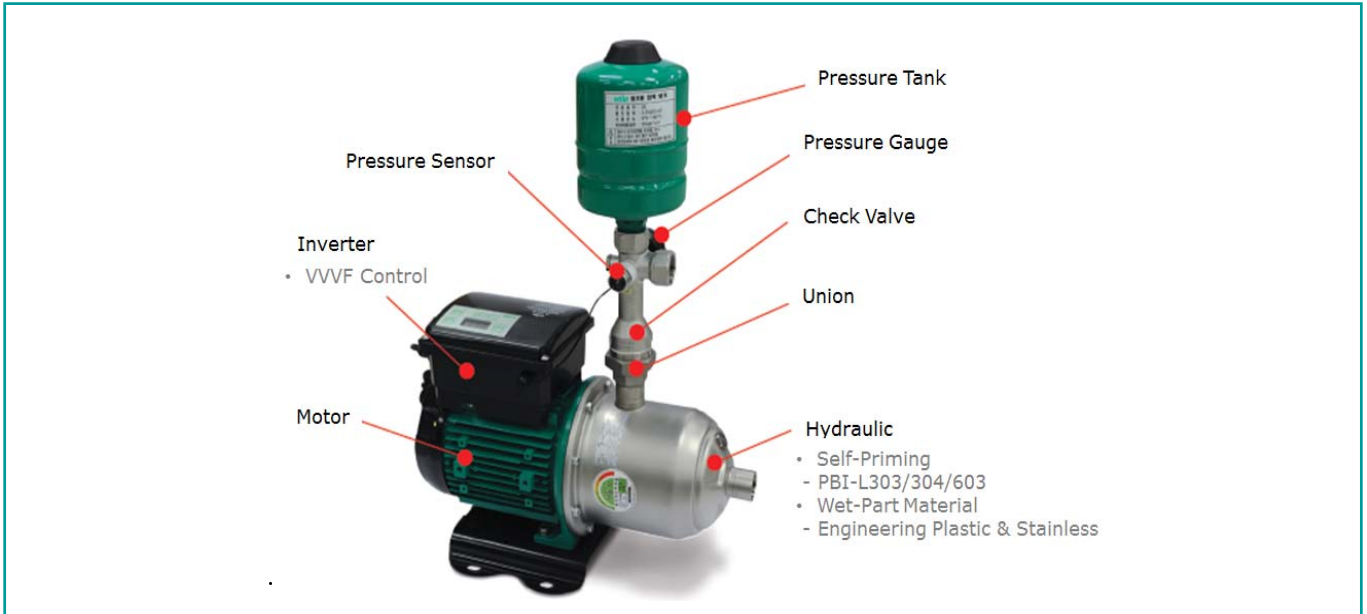


* PBI-L303/304/603EA is self priming Type



Inverter Pump

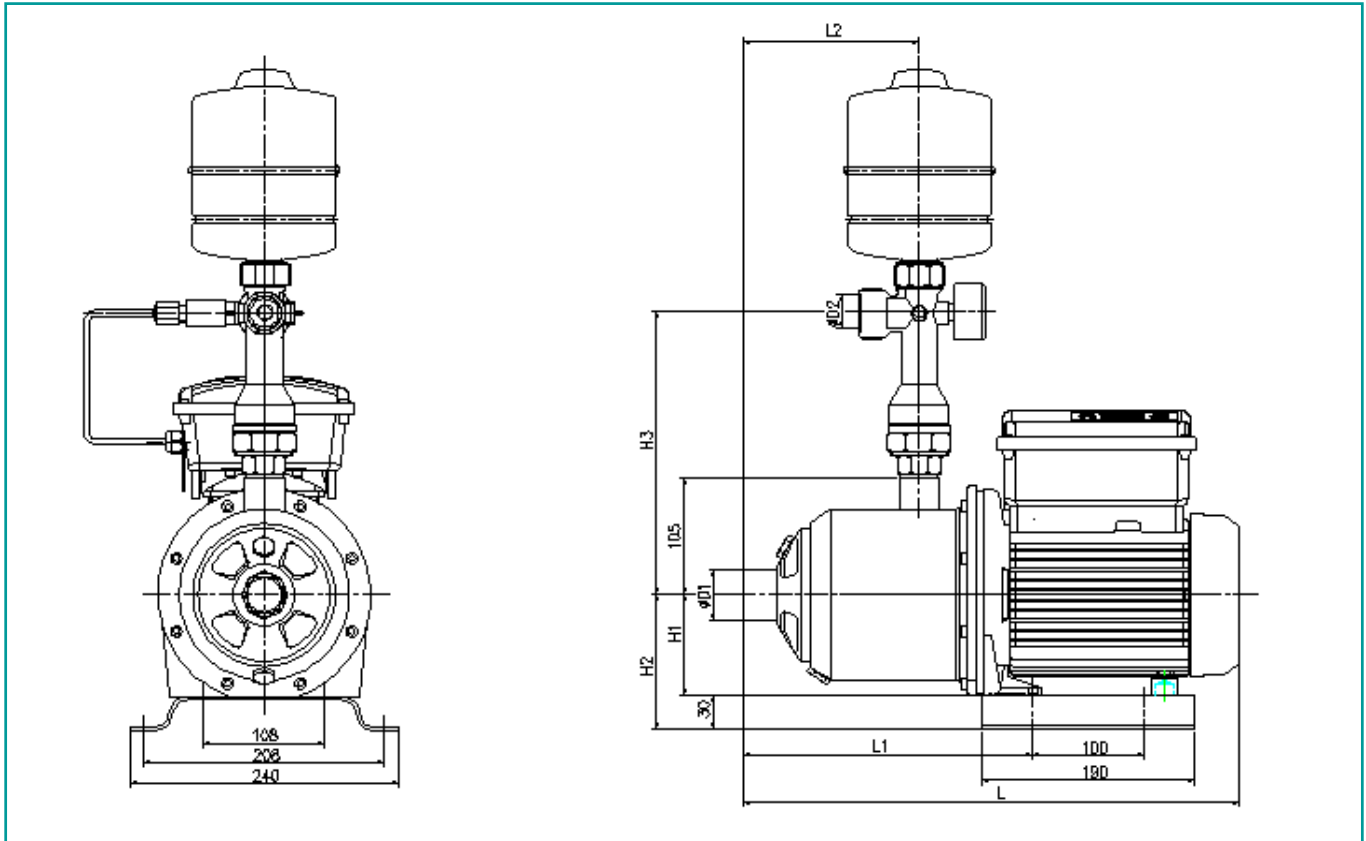
Appearance



Specification

Model	OUTPUT	POWER	Invert	Self. Priming	Max. Q	Pipe		
						Suction	Discharge	
PBI-L203EA	0.75kW	1Φ 220V 50Hz	1.1kW	-	6m ³ /hr	25A	25A	
PBI-L205EA	1.1kW				6m ³ /hr	25A	25A	
PBI-L303EA	0.75kW				6m	5m ³ /hr	25A	25A
PBI-L304EA	1.1kW					5m ³ /hr	25A	25A
PBI-L402EA	0.75kW			-	10m ³ /hr	32A	25A	
PBI-L403EA	1.1kW				10m ³ /hr	32A	25A	
PBI-L603EA	1.1kW			6m	7m ³ /hr	32A	25A	

Dimension



(unit:mm)

Name	Dimension(mm)								
	H	H ₁	H ₂	H ₃	L	L ₁	L ₂	ϕD_1	ϕD_2
PBI-L203EA	580	90	120	435	360	204	109.5	1"	1"
PBI-L205EA	580	90	120	435	425	252	157.5	1"	1"
PBI-L402EA	580	90	120	435	360	204	109.5	1 1/4"	1"
PBI-L403EA	580	90	120	435	425	204	109.5	1 1/4"	1"
PBI-L303EA	580	90	120	435	425	252	157.5	1"	1"
PBI-L304EA	580	90	120	435	425	252	157.5	1"	1"
PBI-L603EA	580	90	120	435	425	252	157.5	1 1/4"	1"