

Pioneering for You

wilo

German Technology

Wilo – PW Series Pump

Automatic & Non-Automatic Booster Pumps





**MOVE INNOVATION.
MOVE WATER.
MOVE THE FUTURE.**

WILO BRINGS THE FUTURE

Pioneering for You

wilo



Type key (Pump Model)

Example : PW-200EAH

- PW** Series Name
- 200** Power (watt)
- E** Single phase, 50 hz
- A** Automatic
- H** Hot water version

Features/Products Advantages

- Energy savings
- Low noise
- Self-priming up to 8 meters
- Low noise
- Various pump protection function
 - Anti block system
 - Dry run protection
 - LED light signals
 - Double thermal protection

Applications

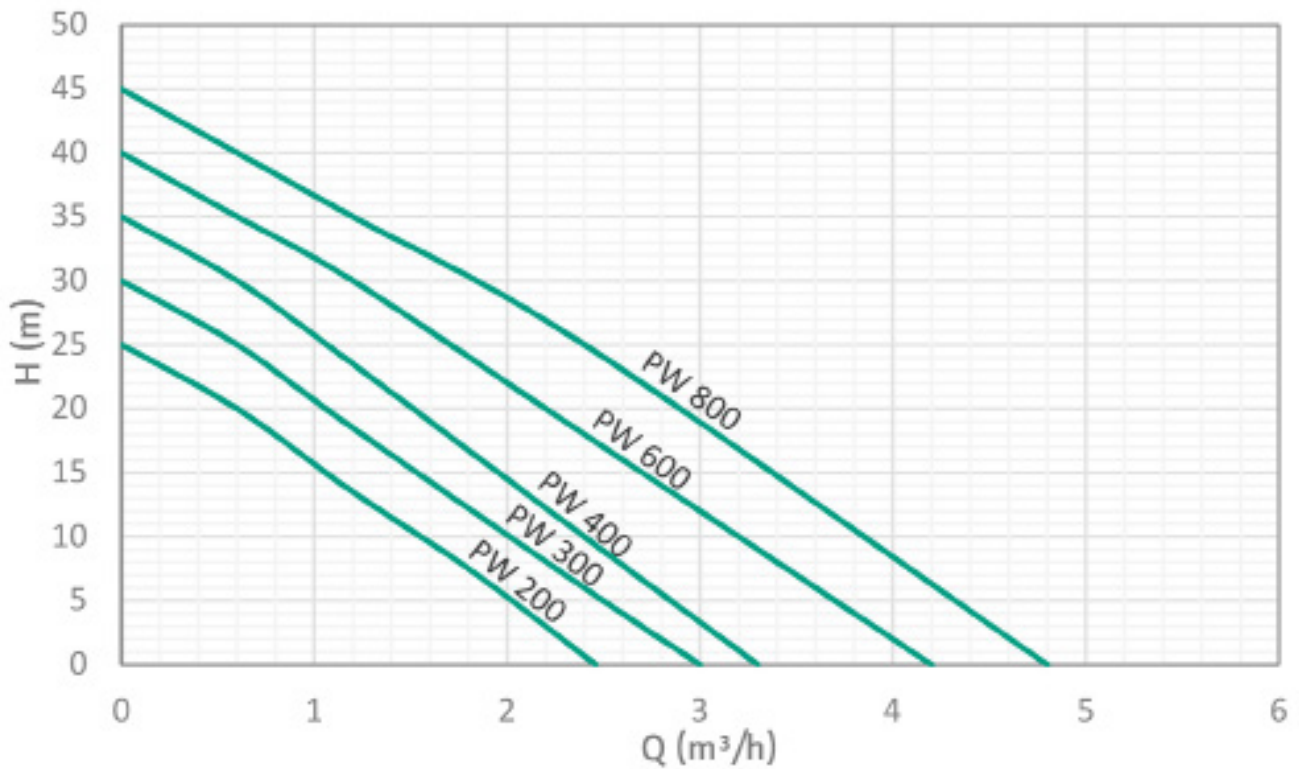
- Water pressure boosting
- Water supply for household

Technical Data

- Non-aggressive water
- Ambient Temp.: 0°C – 40°C
- Water Temp.: 2°C – 40°C
2°C – 90°C (H type)
- Water pH: 5.5 ~ 8.5
- System pressure: PW-200EA(H), PW-300EA(H)
PW-400EA(H) Max. 5 kg/cm²
PW-600EA(H),PW-800EA(H) Max. 7 kg/cm²
- Relative humidity: Max. 85%

Materials

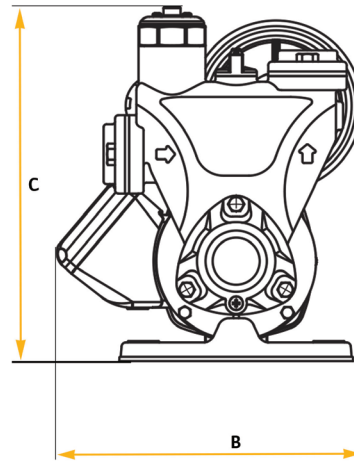
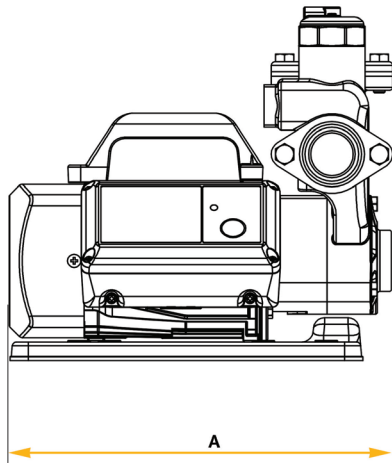
- Motor frame: Aluminum
- Pump housing: Cast iron
- Shaft : SUS400 Series
- Impeller: Brass
- Mech. seal: Ceramic/Carbon/NBR (Standard Version)
Ceramic/Carbon/Viton (Hot water Version)



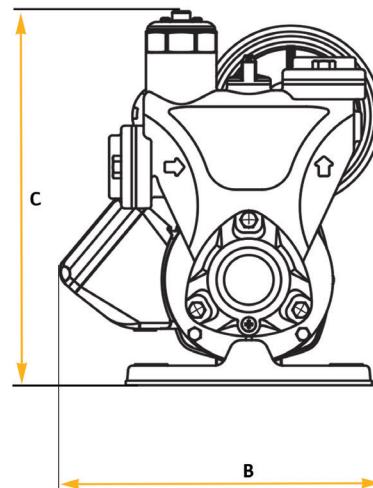
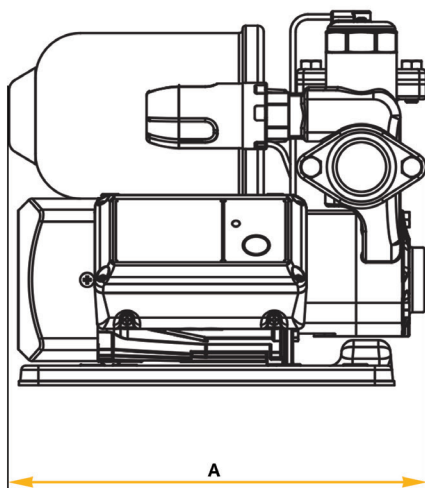
Model	Output (W)	Total Head (m)	Discharge head (m)	Max. flow rate (m ³ /h)
PW-200E/AE/EAH	200	25	17	2.46
PW-300E/AE/EAH	300	30	22	3
PW-400E/AE/EAH	400	35	27	3.3
PW-600E/AE/EAH	600	40	32	4.2
PW-800E/AE/EAH	800	45	37	4.8

Dimension

PW-200E to PW-800E



PW-200EA/EAH to PW-800EA/EAH



Model	Dimension (mm)			Weight (Kg)
	A	B	C	
PW-200E	268	208	248.5	9.5
PW-300E	270	208	248.5	10
PW-400E	272	208	248.5	10.5
PW-600E	298	214	261.5	12.5
PW-800E	302	214	261.5	14
PW-200EA/EAH	274	208	248.5	10
PW-300EA/EAH	276	208	248.5	10.5
PW-400EA/EAH	278	208	248.5	11
PW-600EA/EAH	298	214	261.5	13
PW-800EA/EAH	302	214	261.5	14.5



Pioneering for You

WILO Vietnam Company Ltd.
R1C, 3rd Fl., Etown 1 Bldg.
364 Cong Hoa Street Ward 13,
Tan Binh Dist., HCMC, Vietnam
T +84 28 3810 9975
F +84 28 3810 9976
info@wilo.vn
www.wilo.com

WILO SE
Nortkirchenstraße 100
D-44263 Dortmund
Germany
T +49 231 4102-0
F +49 231 4102 7363
wilo@wilo.com
www.wilo.com