



www.pumps.com.tw

# ADL series

**All Cast-iron Sewage pump  
High Volume, Non-Clogging, 4 Poles Motor  
Rated Speed: 1450/1750 rpm**

**Liquid temperature : 0 °C to 40 °C / +32 °F to +104 °F**

**HP range : 2 to 10 HP / 1.5 kW to 7.5 kW**

**pH : 6 to 8**

**Protection class : IP68**

**Maximum immersion depth : 8M**

**Solid pass: 40~75mm**



Waste water applications containing soft or fibrous solids.



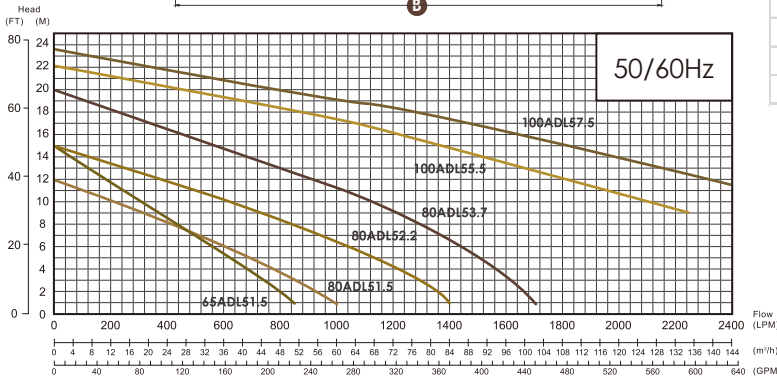
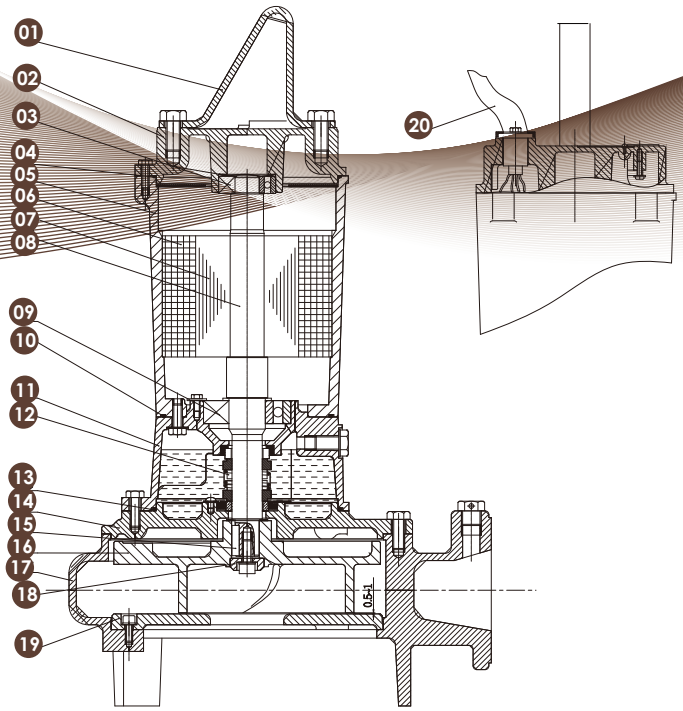
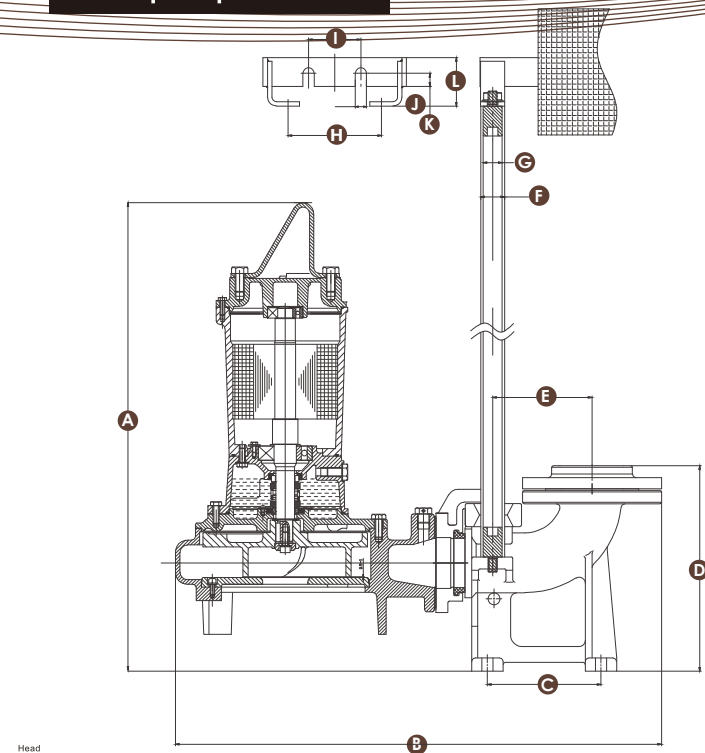
Industrial Waste Water Drainage



Septic effluent

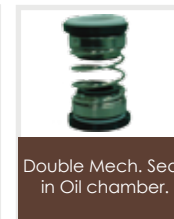
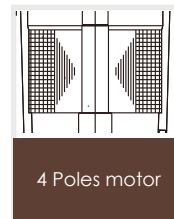
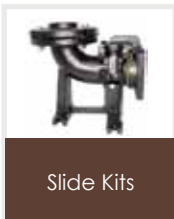
## HUNG PUMP GROUP

Sewage Pumps



| Construction |               |                 |     |                 |                   |
|--------------|---------------|-----------------|-----|-----------------|-------------------|
| No.          | Description   | Material        | No. | Description     | Material          |
| 1            | Handel        | STEEL PLATED    | 11  | Bearing Seat    | FC200             |
| 2            | Top Cover     | FC200           | 12  | Mechanical Seal | CA/CE-SIC/SIC-NBR |
| 3            | Bearing       |                 | 13  | O-ring          | NBR               |
| 4            | O-ring        | NBR             | 14  | Seal Plate      | FC200             |
| 5            | Motor Housing | FC200           | 15  | Key             | SUS304            |
| 6            | Stator        | LAMINATED STEEL | 16  | Impeller        | FC200             |
| 7            | Rotor         | LAMINATED STEEL | 17  | Pump Casing     | FC200             |
| 8            | Shaft         | SUS410          | 18  | Spacer          | SUS304            |
| 9            | Bearing       |                 | 19  | Bottom Plate    | FC200             |
| 10           | O-ring        | NBR             | 20  | Power Cable     |                   |

| Dimension  |     |     |     |     |     |    |      |     |    |    |      |    |
|------------|-----|-----|-----|-----|-----|----|------|-----|----|----|------|----|
| Model      | A   | B   | C   | D   | E   | F  | G    | H   | I  | J  | K    | L  |
|            | mm  | mm  | mm  | mm  | mm  | mm | mm   | mm  | mm | mm | mm   | mm |
| 65ADL51.5  | 627 | 651 | 152 | 275 | 133 | 32 | 25.4 | 125 | 70 | 15 | 17.5 | 65 |
| 80ADL51.5  | 634 | 670 | 152 | 275 | 133 | 32 | 25.4 | 125 | 70 | 15 | 17.5 | 65 |
| 80ADL52.2  | 693 | 675 | 152 | 275 | 133 | 32 | 25.4 | 125 | 70 | 15 | 17.5 | 65 |
| 80ADL53.7  | 723 | 701 | 152 | 275 | 133 | 32 | 25.4 | 125 | 70 | 15 | 17.5 | 65 |
| 100ADL55.5 | 874 | 750 | 230 | 366 | 202 | 32 | 25.4 | 125 | 70 | 15 | 17.5 | 65 |
| 100ADL57.5 | 874 | 750 | 230 | 366 | 202 | 32 | 25.4 | 125 | 70 | 15 | 17.5 | 65 |



| Specifications |        |     |        |      |                       |                   |                 |      |      |      |      |                 |                            |              |
|----------------|--------|-----|--------|------|-----------------------|-------------------|-----------------|------|------|------|------|-----------------|----------------------------|--------------|
| Model No.      | Output |     | Outlet |      | Solid Pass<br>Dia(mm) | Max<br>Flow (LPM) | LPM Flow @ Head |      |      |      |      | Max Head<br>(M) | Dimension<br>L x W x H(mm) | Weight<br>Kg |
|                | HP     | kW  | mm     | inch |                       |                   | 3M              | 6M   | 9M   | 12M  | 15M  |                 |                            |              |
| 65ADL51.5      | 2      | 1.5 | 65     | 2.5" | 40                    | 850               | 750             | 570  | 370  | 180  | -    | 15              | 503 x 349 x 577            | 58           |
| 80ADL51.5      | 2      | 1.5 | 80     | 3"   | 50                    | 1000              | 850             | 620  | 300  | -    | -    | 12              | 537 x 368 x 599            | 62           |
| 80ADL52.2      | 3      | 2.2 | 80     | 3"   | 50                    | 1400              | 1300            | 1030 | 720  | 370  | -    | 15              | 542 x 373 x 658            | 75           |
| 80ADL53.7      | 5      | 3.7 | 80     | 3"   | 48                    | 1700              | 1620            | 1450 | 1210 | 920  | 570  | 18              | 567 x 399 x 688            | 92           |
| 100ADL55.5     | 7.5    | 5.5 | 100    | 4"   | 75                    | 2250              | 2200            | 2070 | 1850 | 1420 | 960  | 19              | 653 x 400 x 824            | 121          |
| 100ADL57.5     | 10     | 7.5 | 100    | 4"   | 75                    | 2300              | 2300            | 2280 | 2250 | 2050 | 1500 | 21              | 653 x 400 x 824            | 125          |